



# Kennedy

WASHROOM HYGIENE SYSTEMS

Kennedy Hygiene Products Limited  
Brookside, Uckfield,  
East Sussex, TN22 1YA  
United Kingdom

Telephone: +44 (0)1825 768141

Fax: +44 (0)1825 768143

email: [sales@kennedy-hygiene.com](mailto:sales@kennedy-hygiene.com)

Website: [www.kennedy-hygiene.com](http://www.kennedy-hygiene.com)

## **PRODUCT SPECIFICATION SHEET**

### **SIGMA TISSUE DISPENSER**

**KHP Part No: TSD SIG UNP**

### **DESCRIPTION**

Accepts range of readily available toilet rolls up to 140mm O/D and 115mm depth.

Accepts core diameters from 28mm to 46mm.

Window provides clear viewing of the rolls to aid servicing of the unit.

Roll held on braked mandrel, giving smooth controlled operation.

Cutting teeth around bottom edges assist tearing of paper.

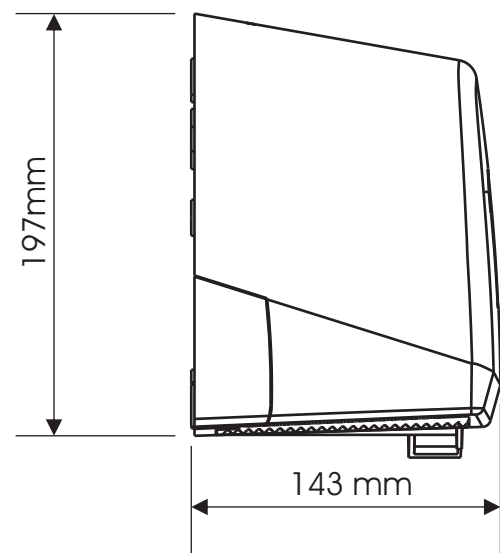
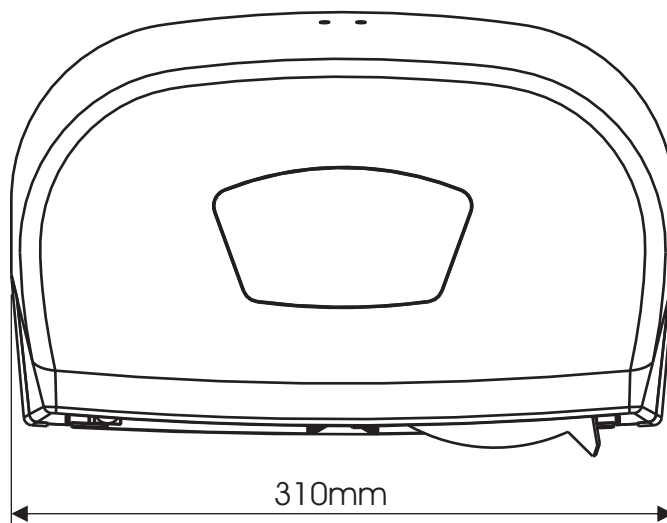
Dispenser can be sited on left or right hand side of cubical.

Dampened opening of hinged cover.

Tray prevents premature use of full roll.

Tray returns to start position automatically when cover is opened.

### **DIMENSIONS**



### **MATERIALS**

Constructed mainly from ABS, as well as other engineering thermoplastics. Dispenser can be recycled or disposed of in accordance with local regulations.

### **PACKING**

Individual units packed in polybags with cardboard dividers in between them.

Individual weight: 805g

4 units packed into carton: 600 x 315 x 205mm

Total weight: 4.5kgs approximately

**PSS (TSD SIG UNP) July 2003**



EMS 53617



FM 34822