

# PRIMA

## Z-fold paper towel dispenser

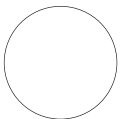


PRIMA is a single sheet dispensing paper towel dispenser for hand drying. Ideal for light to medium traffic environments PRIMA is reliable and durable and features a unique paper towel tray designed to reduce consumable wastage.

The unit aids service thanks to a number of intelligent features including a continual loading system to prevent paper shortage and a hinged cover for speed of service. PRIMA is available in Kennedy's full range of attractive finishes.



### Finishes available



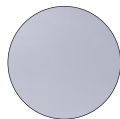
Classic White



Designer Grey



Premium  
Satin Chrome



Premium  
Bright Chrome

### Benefits

#### Reliability & Durability

- > Angled top of dispenser to prevent cigarette burn damage
- > Locking system to deter theft and guarantee content integrity
- > Unique paper tray especially designed to minimize wastage

#### Hygiene & Image

- > Sleek and modern design
- > Single use hand drying dispenser

#### Ease of Service

- > Hinged cover for operator convenience and speed of service
- > Practical inspection window shows when a refill is required
- > Continual loading system preventing paper shortage

For more information  
[www.kennedy-hygiene.co.uk](http://www.kennedy-hygiene.co.uk)

# PRIMA

Z-fold paper towel dispenser



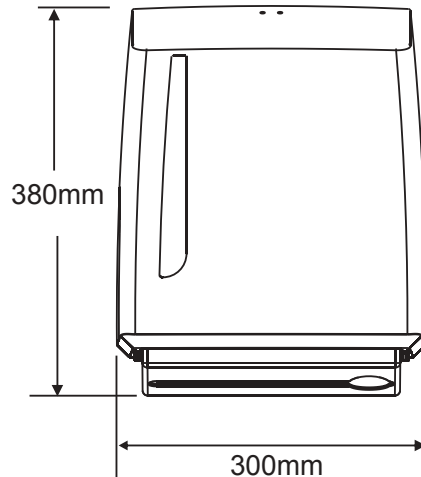
## Packaging info

	<b>Packed</b>	<b>Qty Per</b>	<b>Weight/Kg</b>	<b>Measurement cm</b>
Prima (Classic)	Carton	4	5.52	50 x 39 x 32
Prima (Premium & Designer)	Carton	2	2.87	38 x 31 x 31

## Technical drawings

Materials: Constructed from High Impact Styrene and other engineering thermoplastics. Dispenser can be recycled or disposed of in accordance with local regulations.

Packing: Individual units packed in polythene bags and outer cardboard sleeve.



## Consumables

Z-fold paper towels

220 towels per pack

Towel dimensions folded: 215mm x 80mm

Towel dimensions unfolded: 215mm x 310mm

### Kennedy Hygiene Products Limited

Brookside

Uckfield

East Sussex TN22 1YA

United Kingdom

**T** +44 (0) 1825 768141

**F** +44 (0) 1825 768143

**E** [sales@kennedy-hygiene.com](mailto:sales@kennedy-hygiene.com)

